

24 V DRIVE, FTP-607 SERIES HIGH SPEED THERMAL PRINTER 3-INCH TYPE MECHANISM

FTP-637MCL101/103

■ OVERVIEW

The FTP-607MCL Series thermal printer (driven by 24VDC) provides ultra-high speed printing (80mm/s) for 2-inch and 3-inch wide paper. Our original platen removal mechanism allows easy paper loading and maintenance.

The FTP-607 MCL series can be used for a variety of applications, such as POS/ECR, Kiosk terminals, ticket issuing terminals, label printers, banking terminals, and measurement and medical equipment.

■ HIGHLIGHTS

- **Compact size**
Height 15.5 mm, width 70.4 mm, depth 33.0 mm for the 2 inch model. The 3-inch product has a width of 92.4mm.
- **High speed printing**
It can print at 100 mm/s (800 dotlines/s) maximum by using Fujitsu's unique head drive control.
- **Easy loading mechanism (ELM) type**
Our unique platen removal mechanism improved paper loading and maintenance.
- **Multi-featuring diecast fame**
By application of multi-featuring diecast frame, continuous print by function of heat-sink, high ESD stand by function of earth frame and shock/vibration stand by function of solid frame are valid.
- **High resolution printing**
8 dots/mm of resolution printing is possible.
- **RoHS compliant**



■ PART NUMBERS

Name		Part Number
Printer Mechanism	3 inch	FTP-637MCL101
		FTP-637MCL103
LSI		FTP-627CU201
Interface Board	parallel	FTP-637DCL218
	serial	FTP-637DSL238
Interface Cable	Parallel (Centronics)	FTP-628Y20 2
	Serial (RS-232C)	FTP-628Y30 2
Power Cable	Logic	FTP-629Y40 1
	Head motor	FTP-629Y60 1

■ SPECIFICATIONS

Item	Specifications
Part number	FTP-637MCL101/103
Printing method	Thermal-sensitive line dot method
Dot structure	576 dots/line
Dot pitch (Horizontal)	0.125 mm (8 dots/mm)—Dot density
Dot pitch (Vertical)	0.125 mm (8 dots/mm)—Line feed pitch
Effective printing area	72 mm
Number of columns	ANK 48 columns/line (max.12x 24 dot font)
Paper width	80 mm ⁺⁰ ₋₁
Paper thickness	60 to 100 μ m (some paper in this range may not be used because of paper characteristics)
Printing Speed	Maximum 100mm/sec. (800 dot line/sec.)
Character types	Alphanumeric, katakana: 159 types International and special characters: 195 types JIS Kanji (supported when Kanji CG is mounted): about 6800 types
Character, dimensions (H×W), number of columns	(1.5 × 3.0mm) (3.0 × 3.0mm) (1.0 × 2.0 mm) (2.0 × 2.0 mm) 48 columns: ANK 28 columns: ANK, Kanji 72 columns: ANK 36 columns: ANK, Kanji

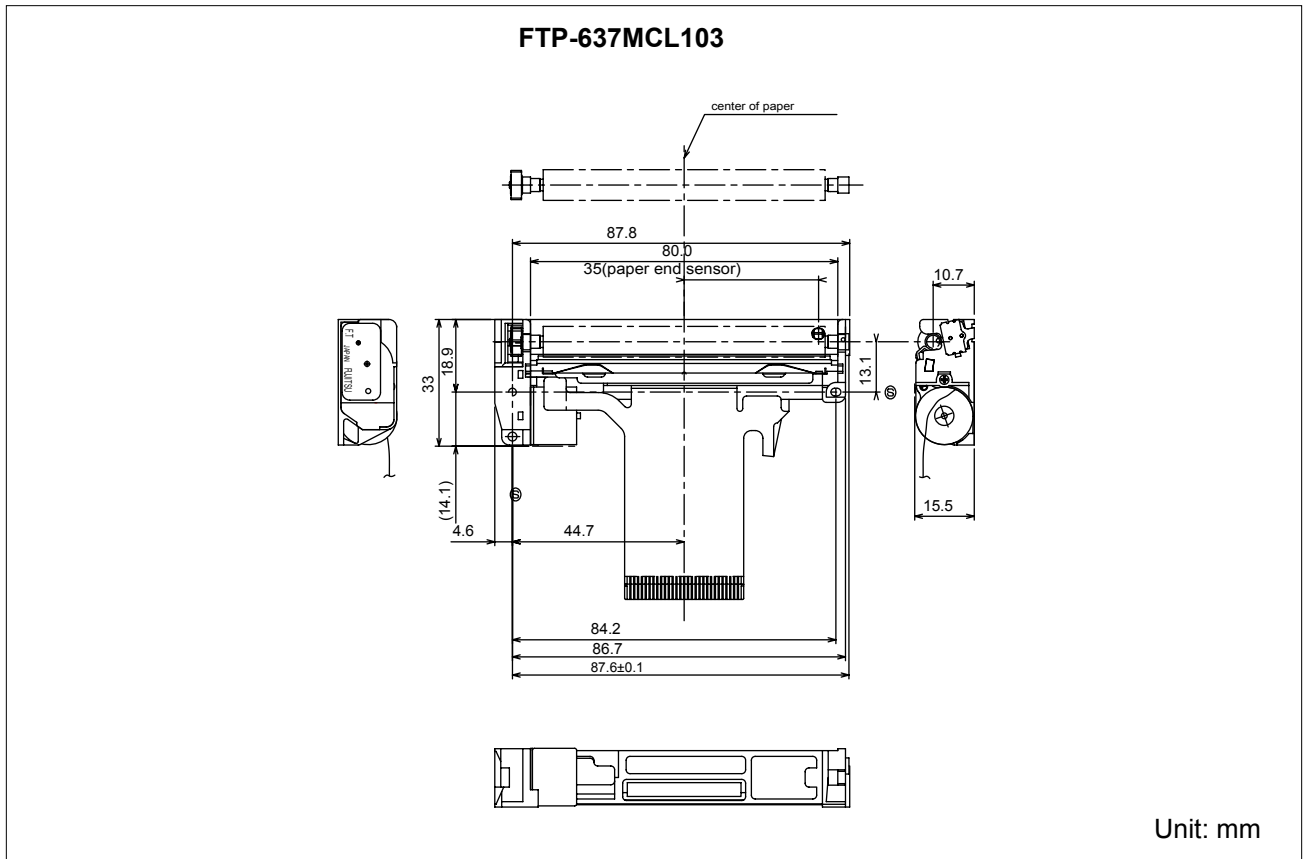
■ SPECIFICATIONS

Item		Specification
		FTP-637MCL101/103
Interface		Conforms to RS232C / Centronics
Operating Voltage	For print head	24 VDC $\pm 5\%$, 1.5 A average, 2.2 A peak (print ratio: 25%)
	For motor	24 VDC $\pm 5\%$, 1 A maximum
	For logic	3.3 to 5.25 VDC $\pm 5\%$, 0.5 A maximum
External dimensions	Printer mechanism	92.4 x 33.0 x 15.5 mm (WxDxH)
	Interface board	70 x 60 x 11.6 mm (WxDxH)
Weight	Printer mechanism	Approximately 52g
	Interface board	Approximately 50g
Life	Head	Pulse resistance: 5×10^8 pulses/dot (under our standard conditions). Abrasion resistance: paper traveling distance 50km (print ratio: 25% or less)
	Platen	5,000 (open/close)
Operating environment	Operating temperature	0° C to +50° C*1
	Operating humidity	20 to 85% RH (no condensation)
	Storage temperature	-20° C to +60° C (paper not included)
	Storage humidity	5 to 90% RH (no condensation)
Detection function	Head temperature detection	Detected by thermistor
	Paper out/mark detection	Detected by photo-interrupter
	Platen release detection	Detected by slide switch
Recommended thermal sensitive paper		FTP-030PU001(80mm)

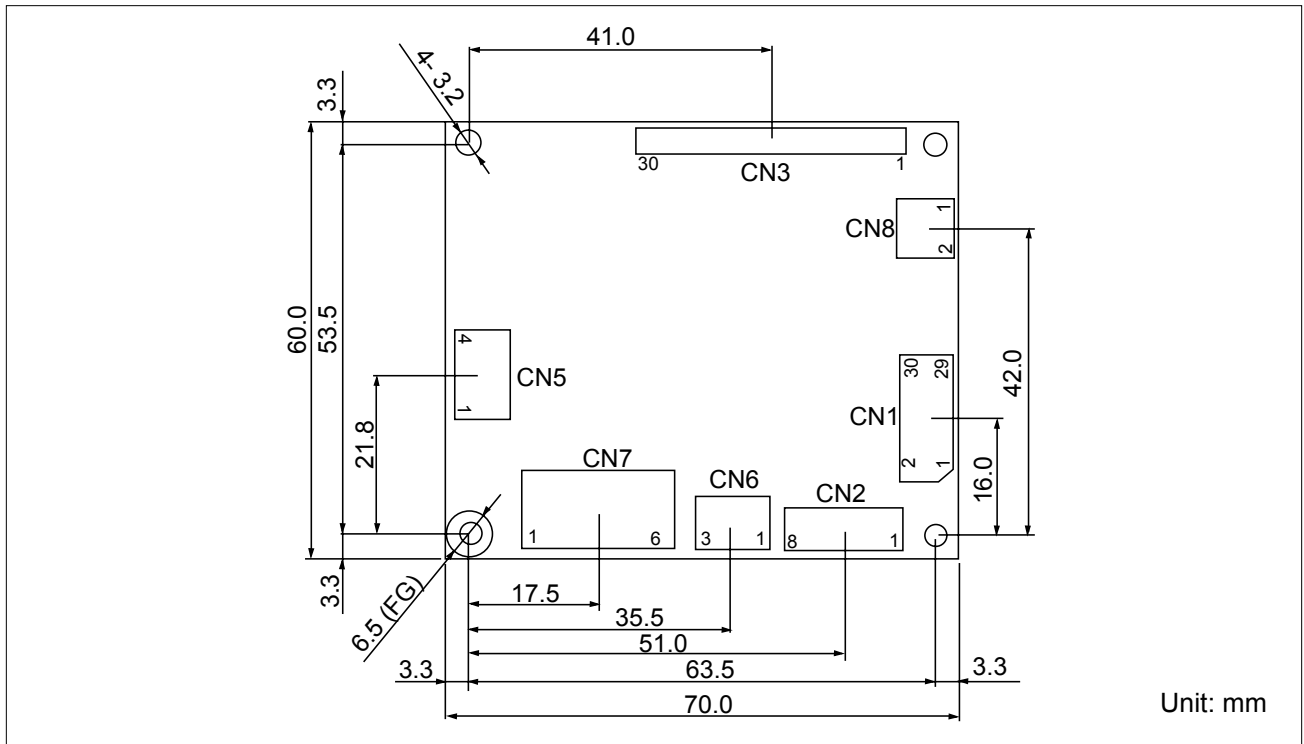
*1: printing density assurance range, operation is possible at -0°C to +40°C

■ DIMENSIONS

1. Printer mechanism



2. Interface board



■ CONNECTOR PIN ASSIGNMENT OF MECHANISM (FPC)

1. Thermal Head

Part number : 52610-3071 Molex or equivalent

FTP-637MCL103 PIN ASSIGNMENT

No	Signal	I/O	Contents
1	PHK	—	Photointerruptor (Cathode)
2	VSEN	I	Ground power supply for paper sensor
3	PHE	O	Photointerruptor (Emitter)
4	SW	—	Platen open switch
5	SW	—	Platen open switch
6	VH	I	Power supply for thermal head
7	VH	I	
8	VH	I	
9	DI	I	Print data in
10	STB3	I	Print enable 3
11	STB4	I	Print enable 4
12	VDD	I	Power for logic
13	GND	—	Ground power supply for thermal head
14	GND	—	
15	GND	—	
16	GND	—	
17	GND	—	
18	GND	—	
19	TM	O	Thermistor
20	STB1	I	Print enable 1
21	STB2	I	Print enable 2
22	LAT		Print data latch
23	CLK	I	Clock
24	VH	I	Power supply for thermal head
25	VH	I	
26	VH	I	
27	MT A	I	Stepping motor excitation signal
28	MT A	I	
29	MT B	I	
30	MT B	I	

Fujitsu Components International Headquarter Offices

Japan

Fujitsu Component Limited
Gotanda-Chuo Building
3-5, Higashigotanda 2-chome, Shinagawa-ku
Tokyo 141 8630, Japan
Tel: (81-3) 5449-7010
Fax: (81-3) 5449-2626
Email: promothq@fcl.fujitsu.com
Web: www.fcl.fujitsu.com

North and South America

Fujitsu Components America, Inc.
250 E. Caribbean Drive
Sunnyvale, CA 94089 U.S.A.
Tel: (1-408) 745-4900
Fax: (1-408) 745-4970
Email: components@us.fujitsu.com
Web: <http://us.fujitsu.com/components/>

Europe

Fujitsu Components Europe B.V.
Diamantlaan 25
2132 WV Hoofddorp
Netherlands
Tel: (31-23) 5560910
Fax: (31-23) 5560950
Email: info@fceu.fujitsu.com
Web: emea.fujitsu.com/components/

Asia Pacific

Fujitsu Components Asia Ltd.
102E Pasir Panjang Road
#01-01 Citilink Warehouse Complex
Singapore 118529
Tel: (65) 6375-8560
Fax: (65) 6273-3021
Email: fcal@fcal.fujitsu.com
Web: <http://www.fujitsu.com/sg/services/micro/components/>

©2009 Fujitsu Components America, Inc. All rights reserved. All trademarks or registered trademarks are the property of their respective owners.

Fujitsu Components America or its affiliates do not warrant that the content of datasheet is error free. In a continuing effort to improve our products Fujitsu Components America, Inc. or its affiliates reserve the right to change specifications/datasheets without prior notice.
Rev. February 27, 2009.